



Uniline Safety Systems Limited  
 1 Sherwood Road, Aston Fields Industrial Estate,  
 Bromsgrove, Worcestershire, B60 3DU, United Kingdom  
 t: 0044 (0) 1527 577 665  
 f: 0044 (0) 1527 577 233  
 e: info@unilinesafety.com

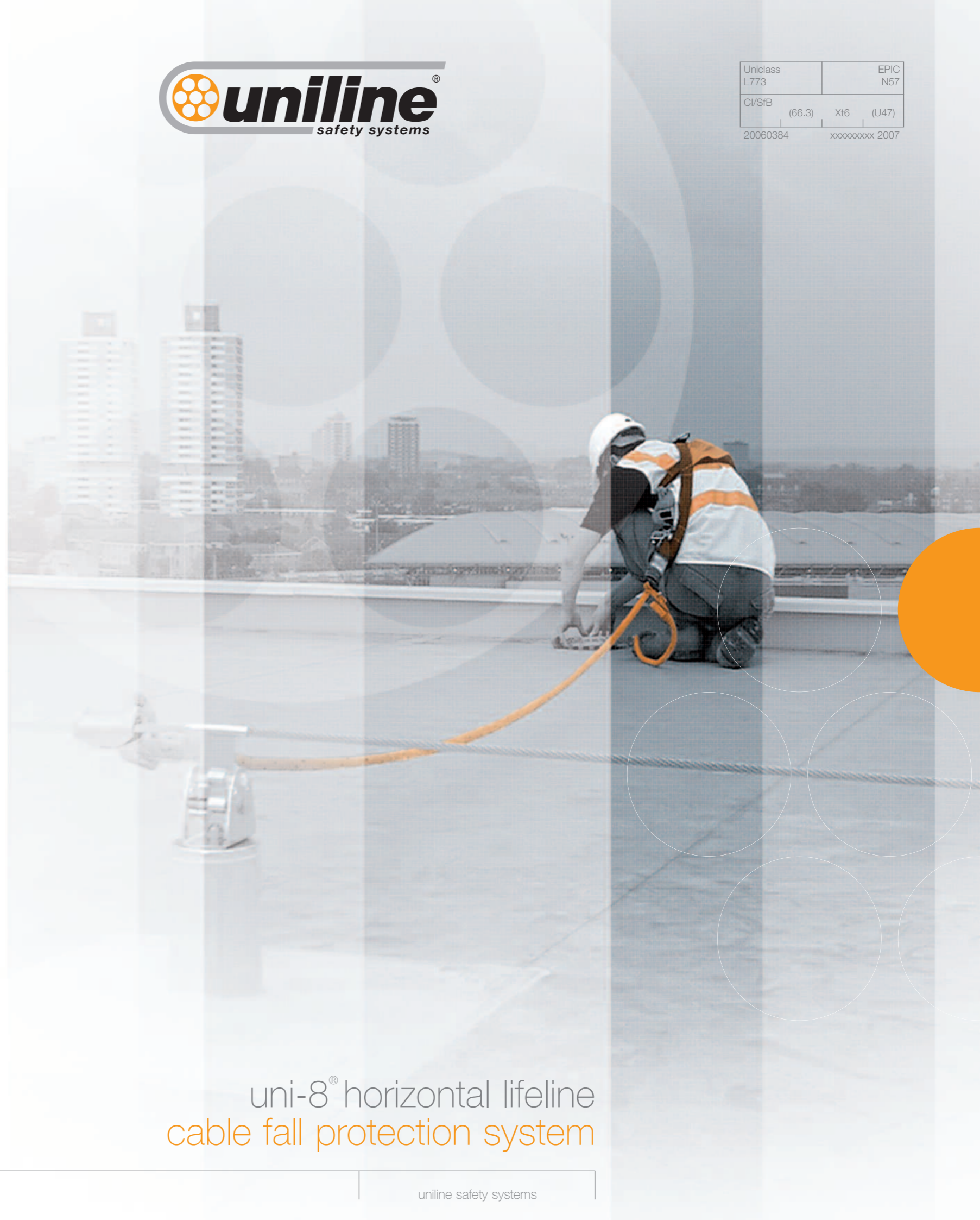


[www.unilinesafety.com](http://www.unilinesafety.com)

local distributor/systems integrator



Uniclass L773	EPIC N57
CI/SfB (66.3)	Xt6 (U47)
20060384	xxxxxxxx 2007



uni-8<sup>®</sup> horizontal lifeline  
 cable fall protection system



- high quality 316 stainless steel cable fall protection system offering excellent freedom of movement
- navigates corners and building contours
- in line energy absorbers protect buildings and structures
- spans of up to 12m between intermediate supports
- electro-polished components provide long-term corrosion resistance\*\*
- a discreet and unobtrusive solution
- system performance calculated using bespoke design software
- conforms to EN795 Class C
- CE Marked

\*\*some aggressive environments can cause corrosion and discolouration of stainless steel



UP0112A  
Wall Anchor Plate – 316 stainless steel, electro-polished. 50kN min breaking strength

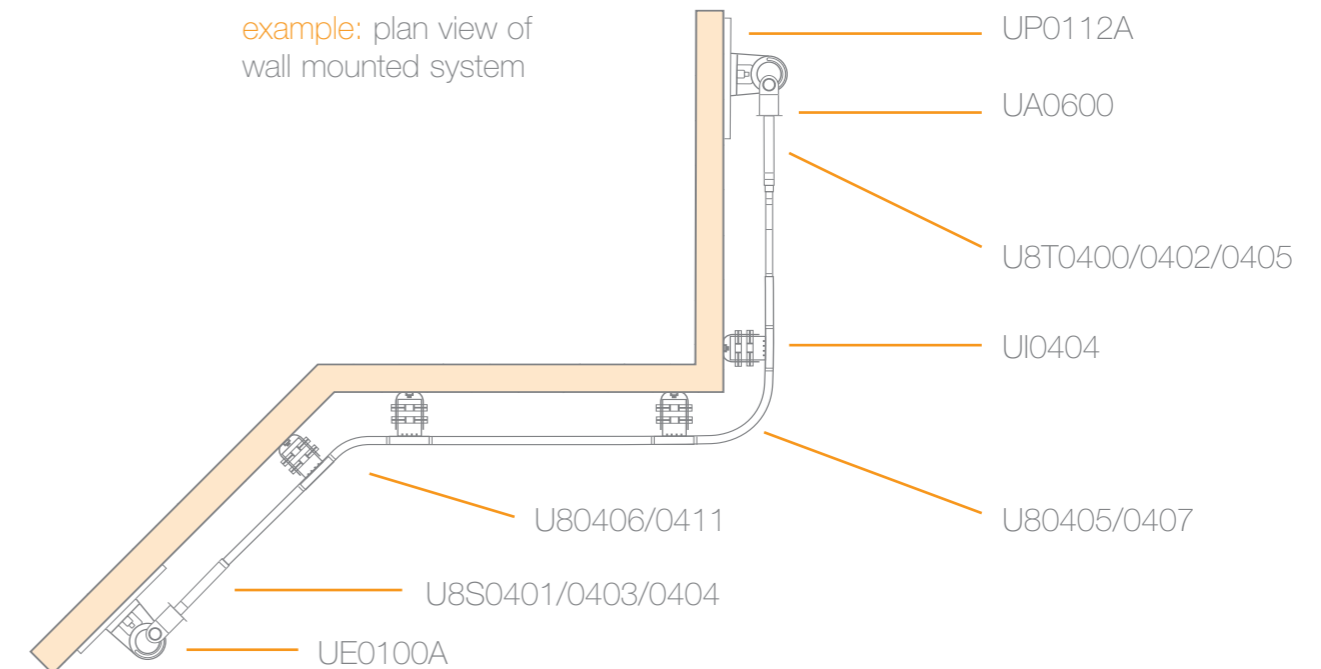


UE0100A  
Unieye end anchorage connector – 316 stainless steel, electro-polished, serial numbered – 67kN min breaking strength



UA0600  
Inline Force Management Energy Absorber – 316 stainless steel, electro-polished

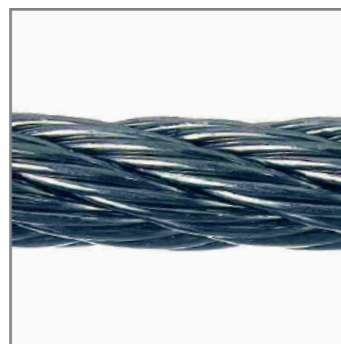
example: plan view of wall mounted system



U8T0400/0402/0405  
Uni-8 System tensioner – 316 stainless steel with anti-seizure tensioning unit and tension indicator disc



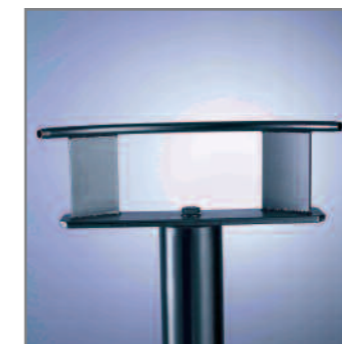
U80800  
8mm 7x7 316 stainless steel cable – min breaking strength 38kN



UI0404  
Uni-8 intermediate bracket – 316 stainless steel, electropolished. Variable positioning available to suit a range of applications, re-orientates load in the event of a fall



U80405/0406/0407/0411  
Uni-8 90 and 45 degree corners. 316 stainless steel, electro-polished. Other angles achieved using variable bracket (UI0404-VB)



U8S0401/0403/0404  
Uni-8 Swage toggles – 316 stainless steel



UG0800A  
Unigrab Attachment Device weighs only 0.29kg and fits in the palm of your hand. Can be attached at any point along the system. 316 stainless steel, electro-polished and serial numbered.

